

Baby stroller
WA32

INSTRUCTION MANUAL

Important:Keep these instructions for future reference.

WARNING:Don't carry additional children, bags, goods or accessories in the stroller except those recommended by the manufacture.

WARNING:To avoid injury ensure that your child is kept away when unfolding and folding this product.

WARNING:Never leave your child unattended.

WARNING:Do not let your child to play with this product.

WARNING:Before making adjustments to the stroller, ensure that the child's body is clear of any moving parts.

WARNING:Always use the restraint system.

WARNING:Child may slip into leg openings and strangle. Never use in reclined carriage positions.

WARNING:Do not allow the child to stand up on the seat.

WARNING:This stroller is designed for one child only.

WARNING:Any load attached to the handle and/ or on the back of the backrest and/ or on the sides of the vehicle will affect the stability of the vehicle.

WARNING:Do not use on escalators or stairs. Fold the stroller and carry it by hands.

WARNING:Check that the pram body or seat unit or car seat attachment devices are correctly engaged before use.

WARNING:This product is not suitable for running or skating.

WARNING:Always activate the brakes when stop the stroller, put or take off any accessories.

WARNING:Ensure that all the locking devices are engaged before use.

WARNING:Any goods carried in the basket should not exceed 3 kg;

WARNING:Do not overload as the stroller may become unstable. Maximum weight must not exceed 22kg in the seat unit.

WARNING:Do not add additional mattress thicker than 20mm.

WARNING:This product is suitable for children from birth to 36 months.

Maximum weight of the child :22kg.

WARNING:Use a harness as soon as your child sit unaided. .

WARNING:Do not use the stroller near open fire, exposed flame, barbecue or heater.

WARNING:Do not use the stroller if any screws, nuts, bolts, etc. are missing or any component is damaged.

WARNING:Do not lift the stroller by the bumper bar it may disengage.

WARNING>Note that the fabric patterns and stroller accessories in this instruction may vary from the one you have purchased.

WARNING:Only replacement parts supplied or recommended by the manufacturer/ distributor shall be used.

WARNING:Always apply the brakes when the pushchair is stationary,and when placing and removing children.

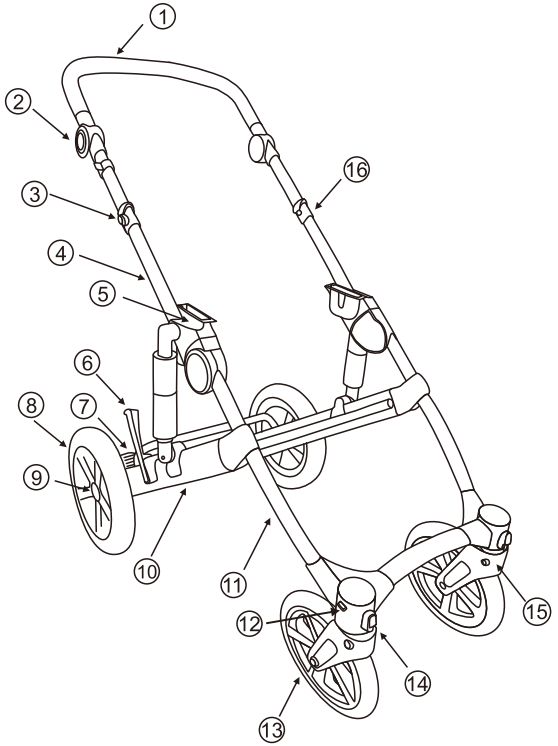
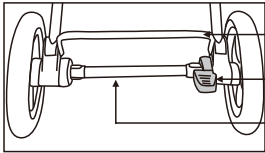
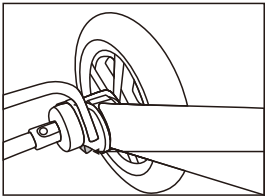
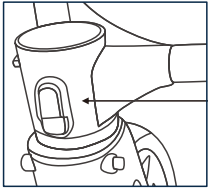
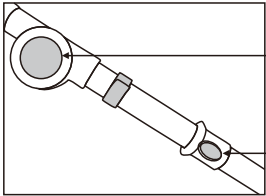
WARNING:When the vehicle is suitable for new born baby, the restraint system is not used and covered with mattress.

WARNING:This product is suitable for a child who cannot sit up unaided, roll over and cannot pull itself up on its hands and knees. Maximum weight of the child :9KG

WARNING:The chassis is suitable for 0 month seat unit, 6 month seat unit, 2in1 seat unit, car seat and carry cot.

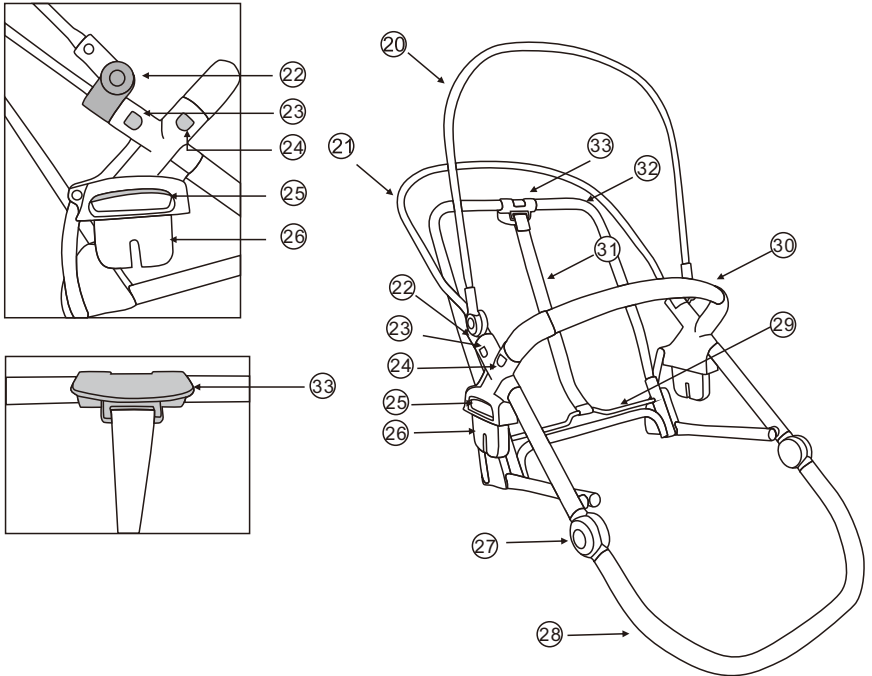
This product complies with EN 1888-2:2018.

Stroller frame parts



- | | | |
|-----------------------------|--------------------------------------|-------------------------------------|
| 1. Handle grip | 9. Wheel cap | 16. Folding lever |
| 2. Adjustable handle button | 10. Rear leg tube | 17. Rear wheel quick release button |
| 3. Folding lever button | 11. Front leg tube | 18. Stabilizing tube |
| 4. Handle tube | 12. Front wheel quick release button | 19. Brake line tube |
| 5. Main connector | 13. Front wheel | |
| 6. Auto lock | 14. Directional lock | |
| 7. Brake and release pedal | 15. Front wheel socket | |
| 8. Rear wheel | | |

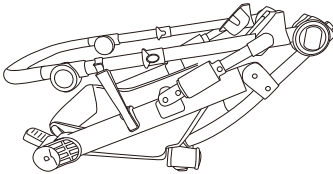
Seat unit parts



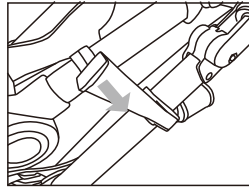
- 20. Front canopy frame
- 21. Back canopy frame
- 22. Canopy faucet
- 23. Canopy button
- 24. Safety bar button
- 25. Seat unit release catch
- 26. Seat unit base
- 27. Footrest adjustment buttons
- 28. Seat unit bottom
- 29. Backrest adjustment lever
- 30. Safety bar
- 31. Backrest adjustable belt
- 32. Backrest lever
- 33. Backrest regulating part

To open the stroller frame

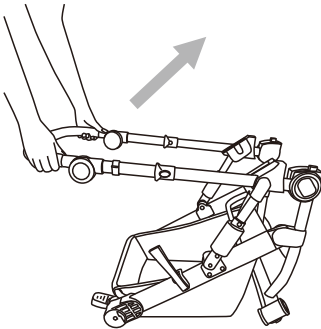
1.The status when it's folded.



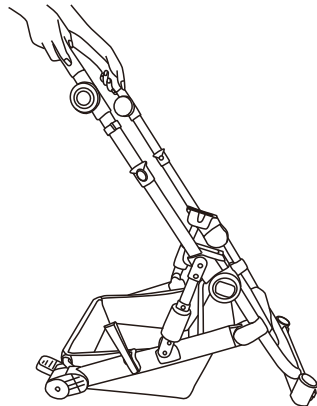
2.Release the folding hook as the picture shows.



3.Hold the handles and lift upwards until the chassis is fully expanded.

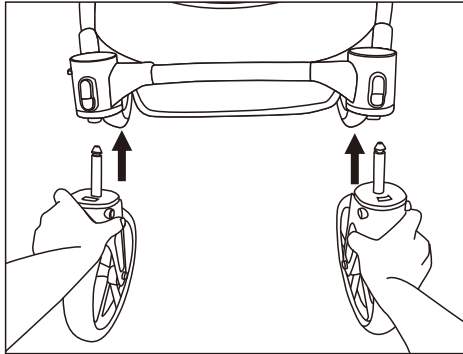


4.The status when it's unfolded.



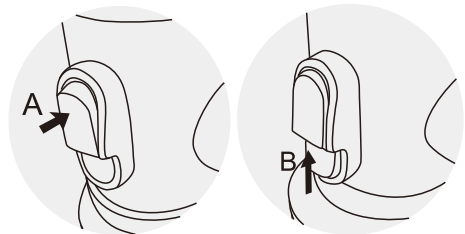
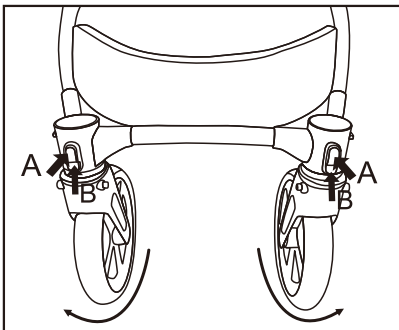
Front wheel assembly

Insert the front wheels into the front legs until you hear a click sound.



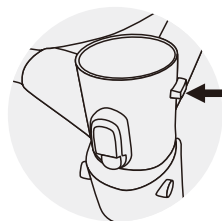
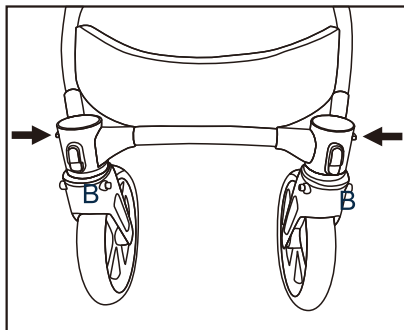
The front wheel orientation

Push in the upper part of the direction lock to lock the front wheel (as A shows), push up the button to achieve 360 degree rotation (as B shows).



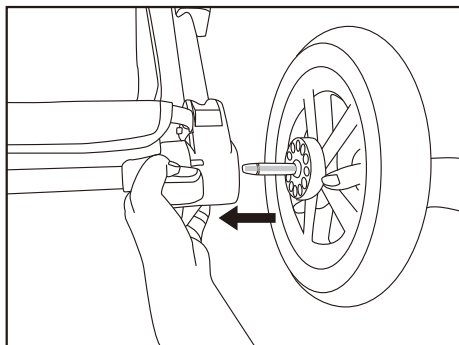
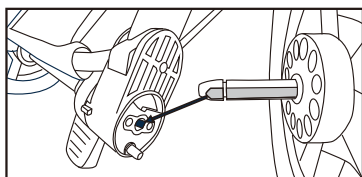
Front wheel release

If you press the quick release button on both sides of the front wheels, it can automatically remove the wheel.



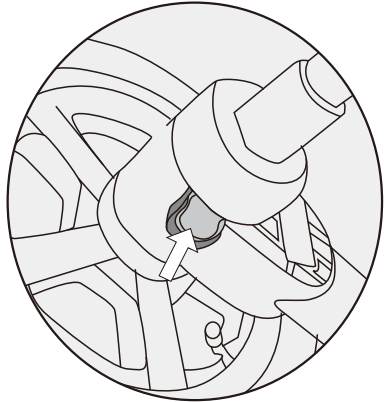
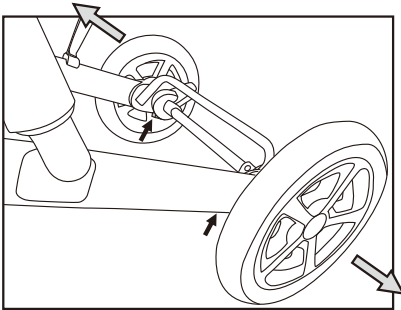
Rear wheel assembly

Adjust the direction of the rear axle, make sure you have correctly lined up the flat edge on the axle with the flat edge of the hole. Then push the rear axle into the whole, until you hear a click sound. Ensure that it is engaged before use.



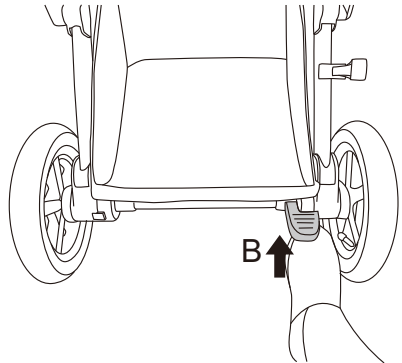
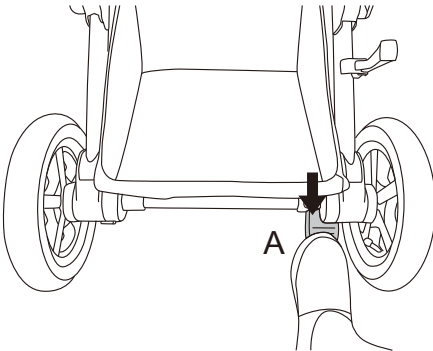
Rear wheel release

Press the rear wheel quick release button to unlock the rear wheels (as the pictures shows).



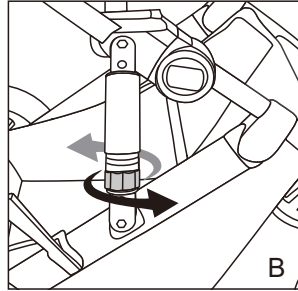
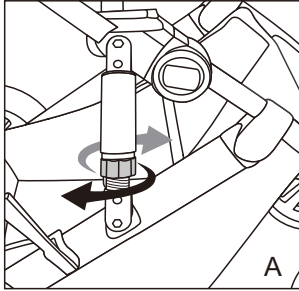
To use the brake

1. Step down the brake pedal until you hear a click sound to engage brake mechanism(A).
2. Step up the brake pedal to unlock the brakes(B).



Shock absorber spring adjustment

1. Rotate clockwise downward, reduce spring stiffness. (A)
 2. Counterclockwise upward rotation, increase spring hardness. (B)
- Maintain the same height on both sides of the knob follow as the scale.

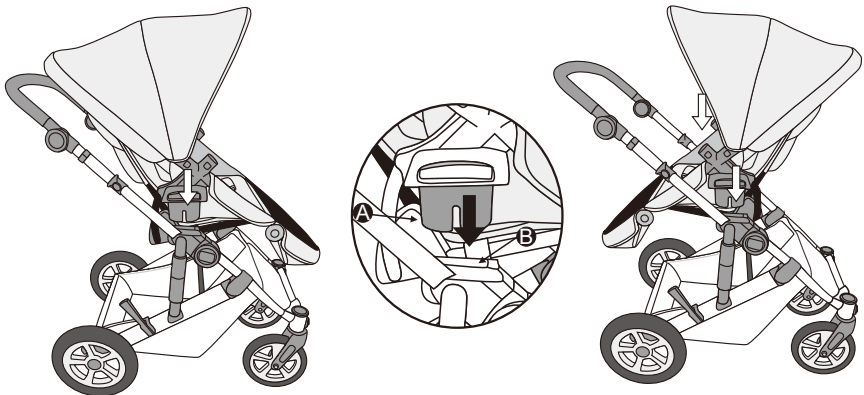


To install the seat unit

WARNING: This stroller is suitable for child from birth to 36 months. Maximum weight must not exceed 22kg in the seat unit.

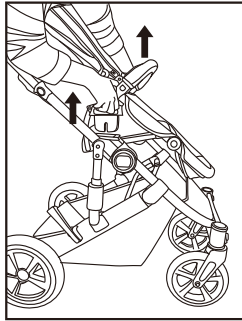
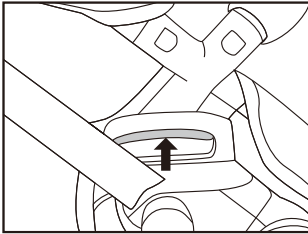
Match the connector (A) of both sides of the seat unit in to the basement (B) on the stroller until you hear a click sound to make sure it is installed correctly.

Important: Seat unit can be forward or parent-facing.



Seat unit release

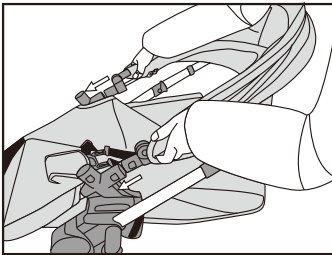
Press in the release catches on each side of the seat unit and pull up the seat unit to release it.



Canopy assembly

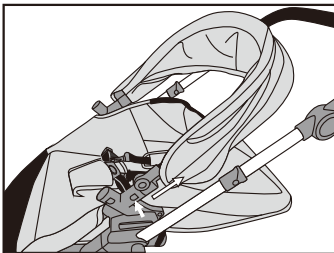
WARNING: Install the canopy before using this stroller.

Press the buttons on the canopy frame both sides, insert it into the matched faucet until you hear a click to make sure that it is installed correctly.



Canopy disassembly

Press the canopy buttons both sides, pull out the canopy frame as the picture shows to disassemble the canopy.

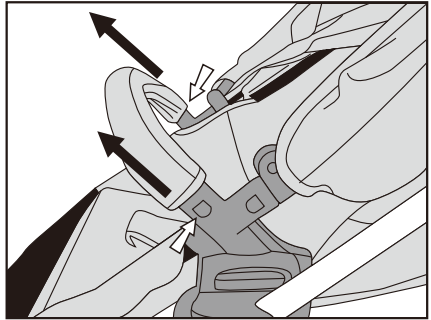
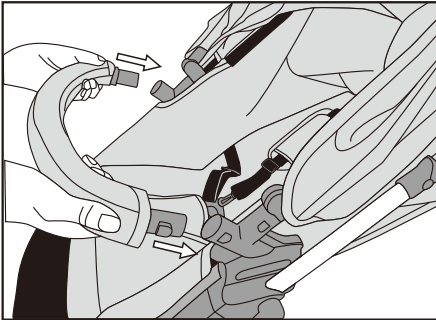


To use safety bar

WARNING: Install the safety bar before using.

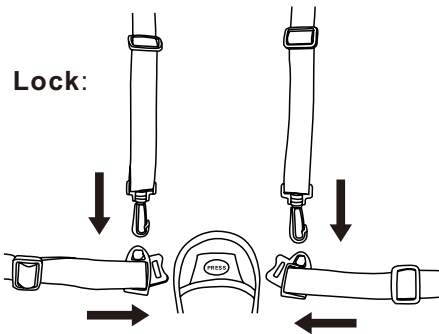
Installing the bar: Slide the bar tips into the relative opening till hearing click sound.

Releasing the safety bar: Push two buttons of each side of the bar while pulling it out.

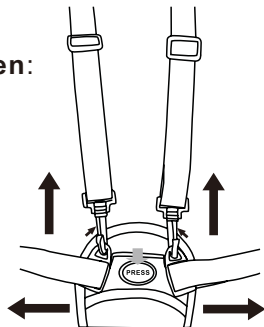


To use safety belts

Lock:

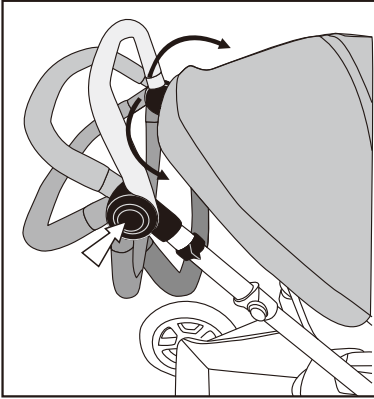


Open:

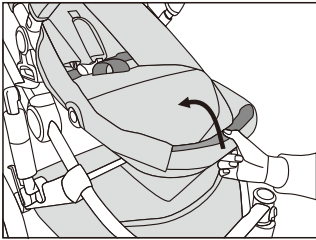


Adjust the handle

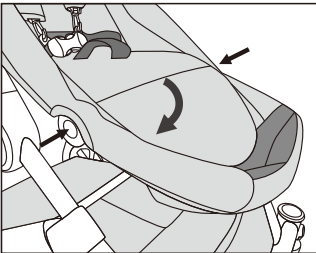
Pressing the adjustable handle button at the same time to operate different height of the handle(seven sections).



Leg rest adjustment



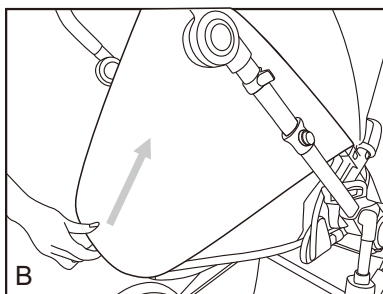
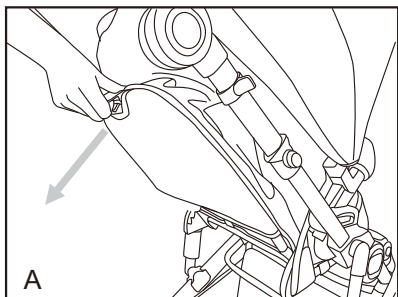
1. Adjust the leg rest by pushing it up.



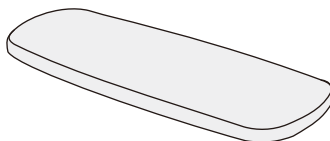
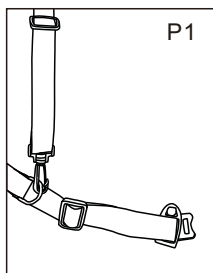
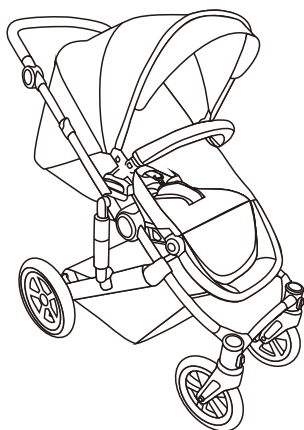
2. Pressing the adjustable button both sides at the same time to pushing it down.

Backrest adjustment

1. Hold the regulating part on the backrest, pull it down to make the backrest down.(A)
2. Pull up the regulating part to make the backrest up.(B)



Important: For children aged 0-6 months, the backrest should be adjusted to the lowest position and the footrest should be raised to the same height as the seat unit. Then unfasten the safety harness on the front seat, and the shoulder strap rotary buckle fix to the the D-buckle (P1) on the side of the seat unit, and the mattress (P2) should be put on.

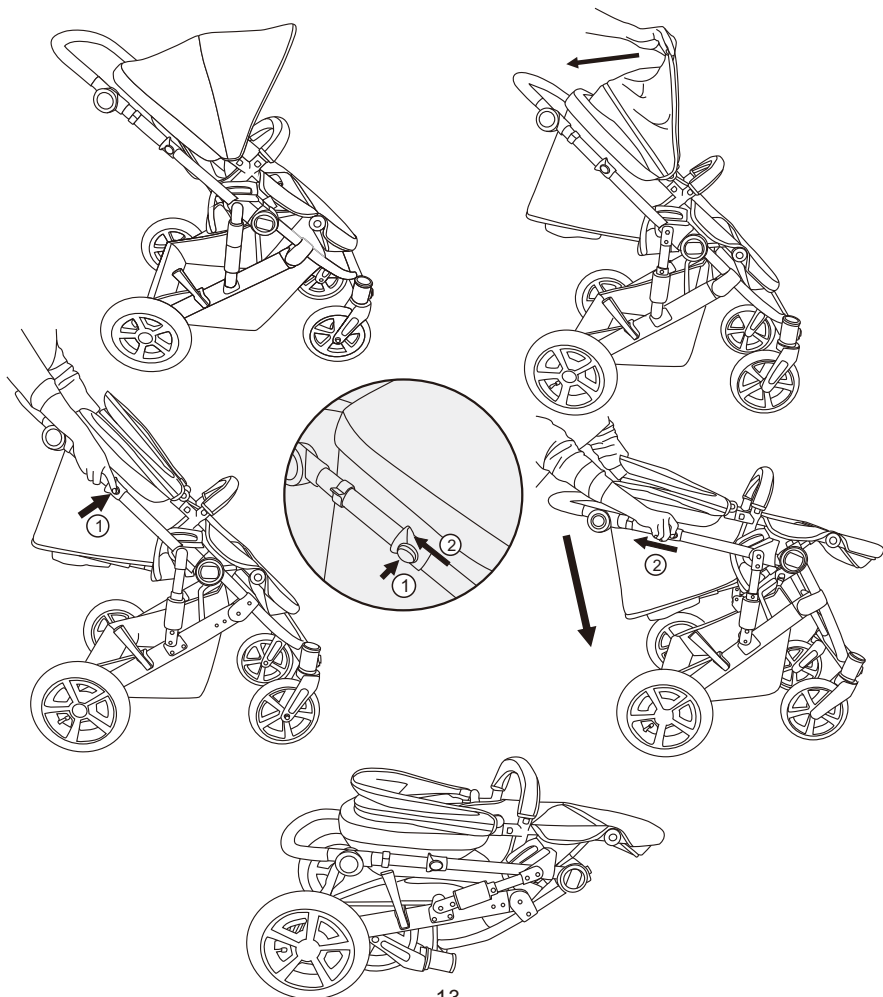


P2

To fold the stroller:

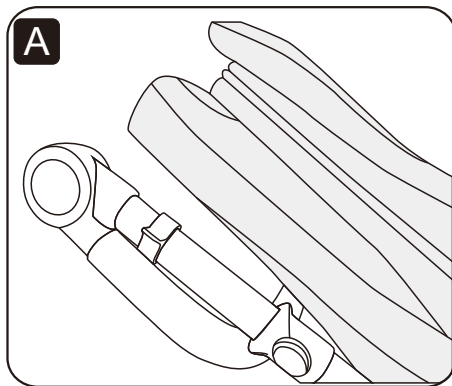
WARNING: To avoid injury ensure that your child is kept away when unfolding and folding this stroller.

1. Make sure that the seat unit is forward facing (opposite to Mama) before folding.
2. Fold the canopy.
3. Press the button on the right handle, pull up the folding lever at the same time, fold it down until it is completely folded, attach the auto lock.



Collect and put stroller

- 1) To minimize the volume of the folded stroller, make the adjustable handle into smallest section before folding. (show as A).



Care and maintenance

1. Fabric: sponge clean only with a mixture of water and mild detergent.
Do not iron. Do not bleach.
2. Periodically check for loose and broken parts.
3. Exposing the stroller to direct sunlight for long periods may cause fading.
4. If the stroller becomes wet, dry the metal parts and store it at cool and ventilate.
5. Check if the air pressure of the wheels is normal or not before using
(the standards air pressure is 35 Psi or 241.325Kpa).